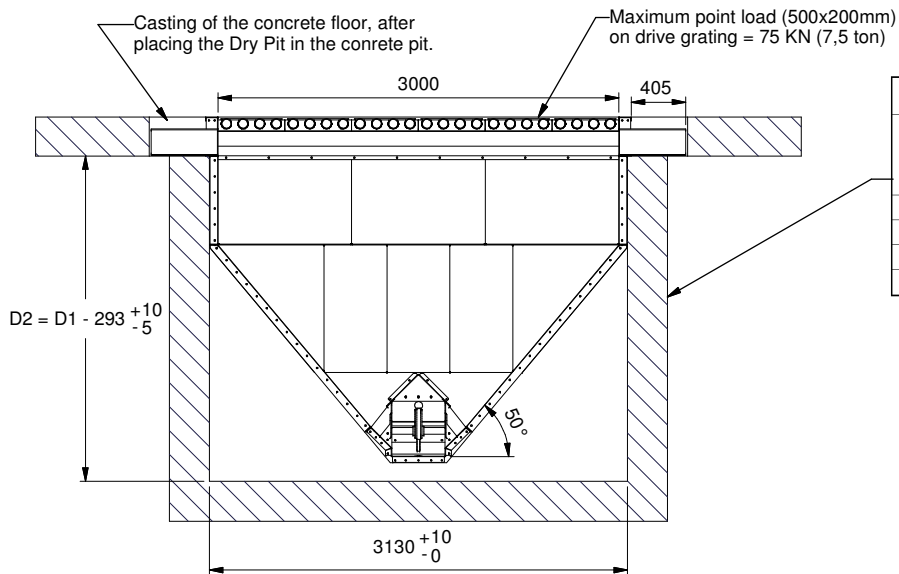


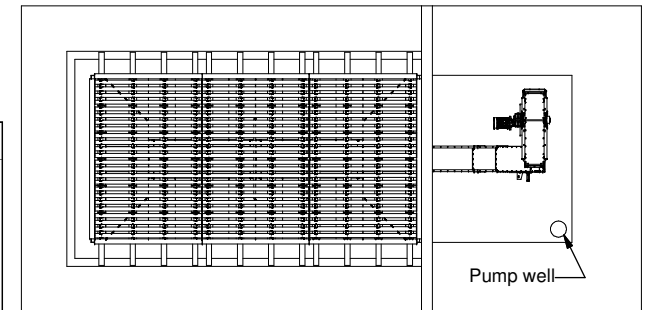
N-N (1 : 40)



Dry Pit type	Capacities for Dry Pit length x width (L1 x 3 m)			Depth (D1) by redler type		
	4x3 m	6x3 m	8x3 m	T57	T49	T45
Dry Pit 1	12,7 m ³	20,7 m ³	28,7 m ³	2,33 m	2,4 m	2,53 m
Dry Pit 2	17,6 m ³	28 m ³	38,5 m ³	2,73 m	2,79 m	2,93 m
Dry Pit 3	22,5 m ³	35,4 m ³	48,3 m ³	3,15 m	3,22 m	3,36 m

Specifications for dimensioning the concrete pit			
The 2 concrete side walls, where the Dry Pit hang, must collectively be able to withstand the following minimum vertical load.			
Dry Pit type	4x3 m	6x3 m	8x3 m
Dry Pit 1	68 ton	76 ton	84 ton
Dry Pit 2	73 ton	83 ton	93 ton
Dry Pit 3	76 ton	90 ton	104 ton

And also all concrete walls must be able to withstand the soil pressure from the side, when driving with large road trains.



<p>Kløservejen 2, Sahl DK-8850 Bjerringbro www.jema.as Fax. +45 86 68 00 74 Telefon LIFT +45 86 68 88 77 Telefon AGRO +45 86 68 16 55</p>	Benævnelse:	Ordre / Projekt nummer:	Antal:
	Dimension and load drawing for Dry Pit	Tegnet af:	Dato:
Materiale:	SR	1:40	Papir:
Tegnings nummer:	Dimension and load drawing for Dry Pit	Vægt:	Sidst gemt:
Dimension in mm	Uden vor tilladelse må denne tegning ikke efterlignes, kopieres eller forevises tredjemand	Revisions nr. :	Revisions Init :
			Revisions dato :